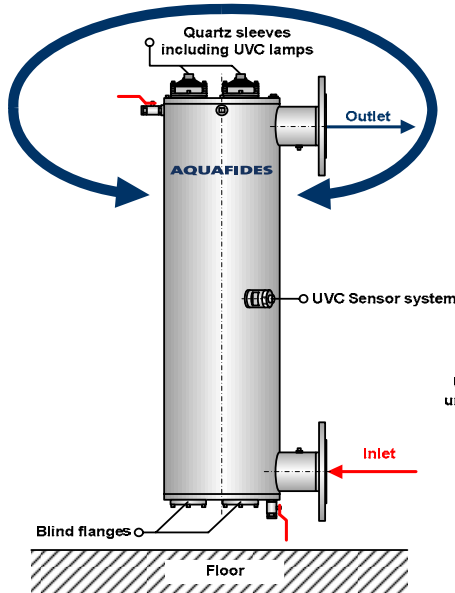


Stacking arrangement - irradiation chamber

Multi lamp systems - U design - COMPACT T

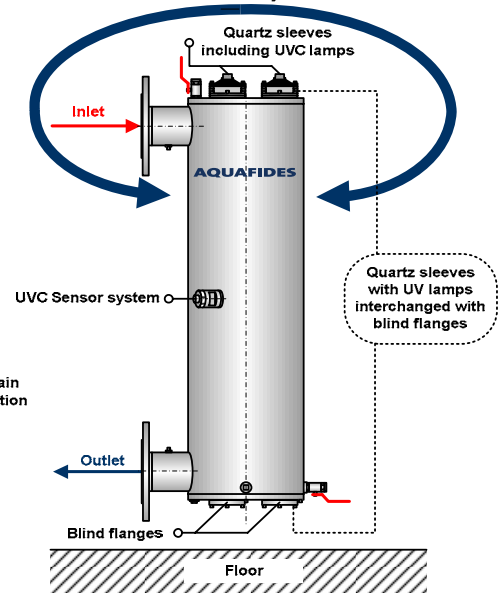
Vertical mounting direction

Installable in any rotation



Vertical mounting direction - Quartz sleeves with UVC lamps interchanged with blind flanges

Installable in any rotation

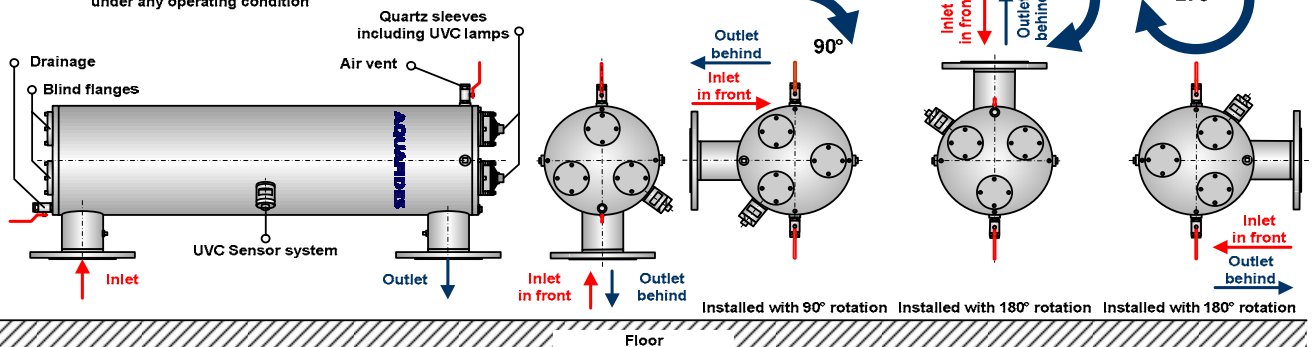


Attention:
UVC reactor must not drain
under any operating condition

Horizontal mounting direction

Installable with steps of 90° rotation

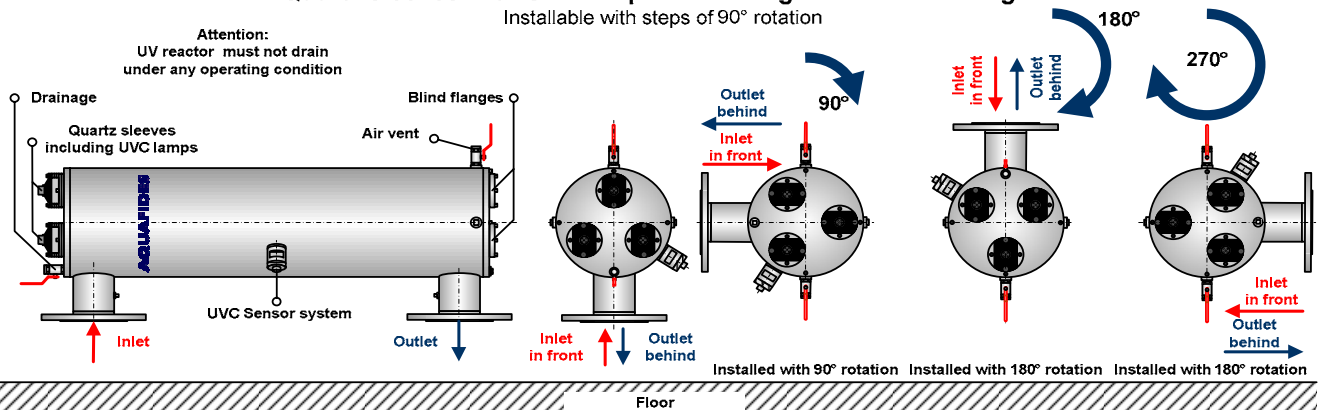
Attention:
UV reactor must not drain
under any operating condition



Horizontal mounting direction Quartz sleeves with UVC lamps interchanged with blind flanges

Installable with steps of 90° rotation

Attention:
UV reactor must not drain
under any operating condition



IMPORTANT:
Direction of INLET and OUTLET

Not drawing to scale